



Videos of this process are available at TLSLabs.com. Please go watch and learn how to correctly use these important products! Its free!

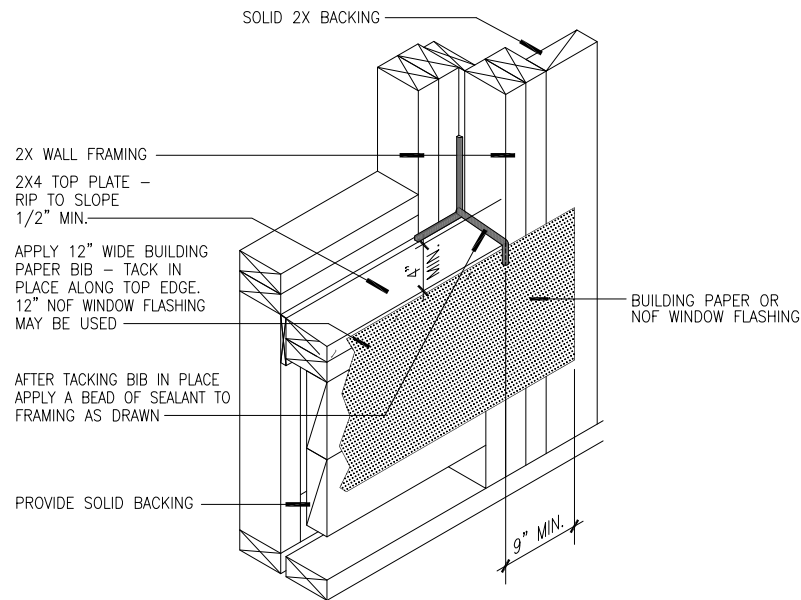
September 2016

You can always call us at 800-310-7673 for help. Download full installation sequence at www.tlslabs.com

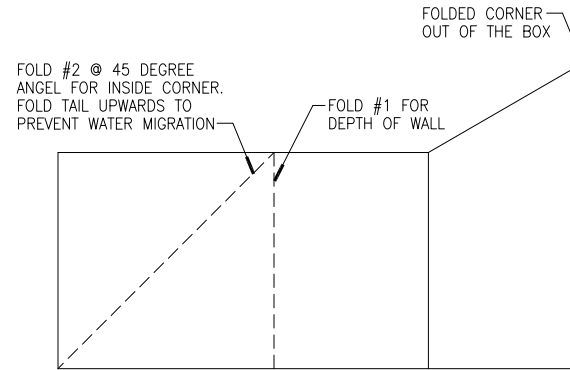
Videos de este proceso estan disponibles en TLSLabs.com

Por Favor mire y aprenda como usar correctamente este producto! Es Gratis!
Por cualquier pregunta por favor llamenos al 800-3107673 si necesita Ayuda.

USE CORNER FLASH INSIDE AND OUTSIDE FLASHING CORNER PRODUCTS. SUGGESTED SEQUENCE:



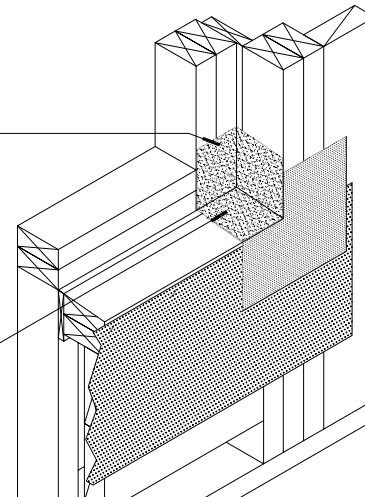
GS 108 FLASHING CORNER OUT OF THE BOX FOLDING DETAIL TO CREATE INSIDE CORNER. ALSO USEFUL GS 112A CORNERS WHERE APPLICABLE



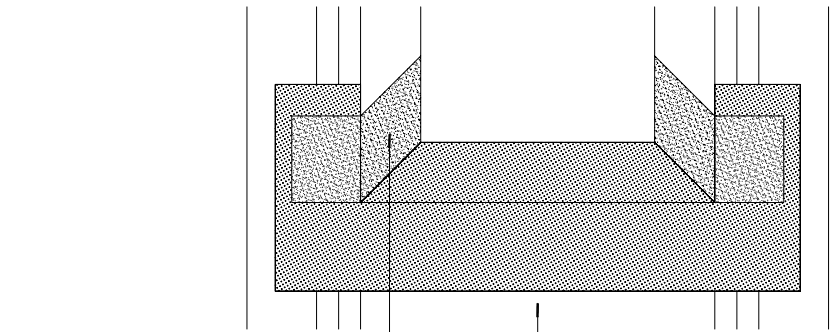
APPLY "A" PIECE

APPLY GS SERIES 100 "A" SET IN PLACE USE STAPLES TO SECURE IN PLACE

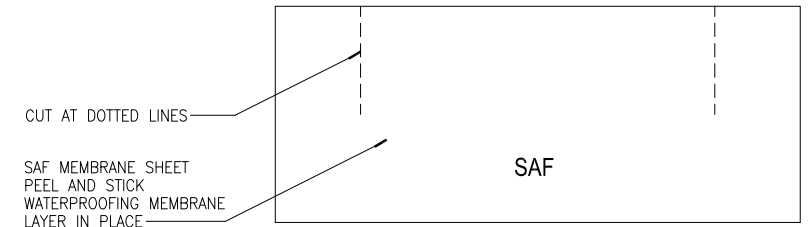
INSERT GS 100 SERIES "A" PIECE INTO SEALANT - PRESS TIGHTLY INTO CORNERS - OPEN FOLDED MATERIAL FOR INSIDE CORNER



APPLY END DAMS AND SEALANT



CUT 2 PIECES OF MEMBRANE FOR USE AS END DAMS AND LAYER IN PLACE AS SHOWN AFTER SAF MEMBRANE SHEET IS SET IN PLACE



NOTE: INSTALL TOP CORNERS (NOT SHOWN) AFTER SIDE FLASHING IS APPLIED. LAYER SAF MEMBRANE IN PLACE AFTER CORNERS ARE SET. WE ALWAYS SUGGEST A BUTYL MEMBRANE PRODUCT.

Patented Protected Product with US Patents: No. 7,735,291 and No. 9,032,688