

# GENERAL RECESSED WINDOW FLASHING NOTES

## CORNER FLASH BY TLS LABORATORIES

1. THIS DRAWING DEPICTS THE APPLICATION OF A PATENTED FLASHING SYSTEM BY:

**GENE SUMMY - TLS LABORATORIES**

Materials by:

**THE FORTIFIBER BUILDING SYSTEMS GROUP**

2. VERIFY WINDOW INSTALLATION WITH WINDOW MANUFACTURER'S WRITTEN INSTRUCTIONS.

3. UNLESS SUPERSEDED BY WINDOW MANUFACTURER, THE ROUGH OPENING SHOULD BE 1/2" GREATER IN WIDTH AND HEIGHT THAN THE NET FRAME SIZE OF THE WINDOW.

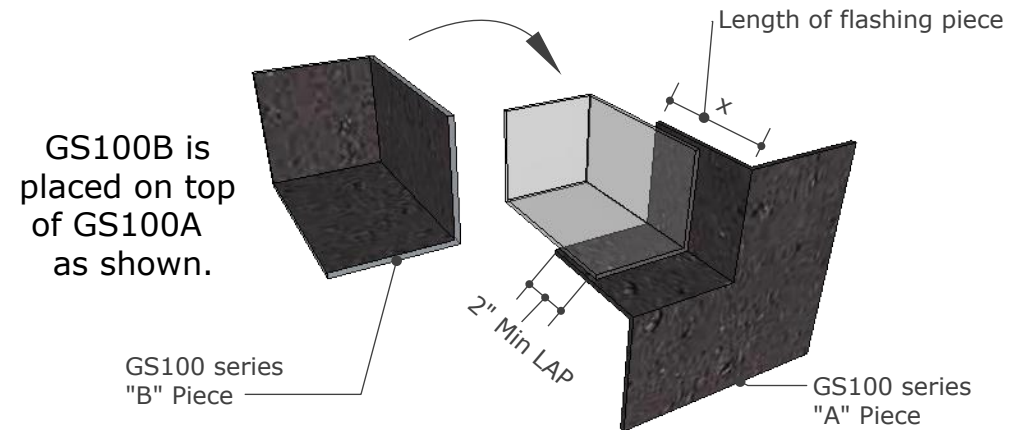
4. VERIFY ROUGH OPENING IS SQUARE, PLUMB, AND LEVEL.

5. WINDOW SILL TO BE SET UPON LEVEL FRAMING SILL WITH CONTINUOUS SUPPORT. SUBSTRATES SHALL BE CLEAN, DRY AND UNIFORM AND SMOOTH PRIOR TO FLASHING APPLICATION.

6. WANEED LUMBER WILL NOT BE USED @ ROUGH OPENINGS LOCATIONS.

7. THIS SYSTEM IS PATENTED BY US PATENT #7,735,291 B2.

8. DOWNLOAD THIS FILE @ [WWW.TLSLABS.COM](http://WWW.TLSLABS.COM)

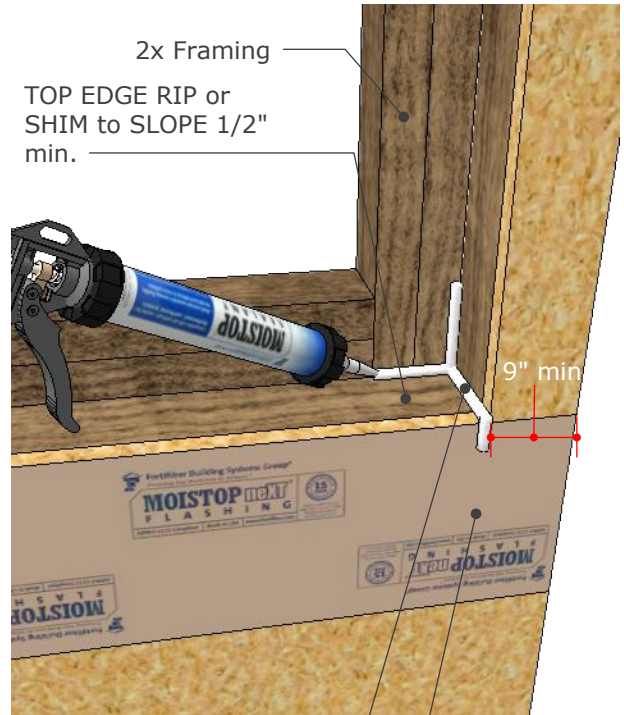


DEPTH OF WINDOW RECESS	LENGTH OF FLASHING PIECE	TLS100 SERIES 'A' PIECE NUMBER	COMBINE WITH TLS100 SERIES 'B' PIECE NUMBER
2"	2"	GS 102A	GS 100B
4"	3-1/2"	GS 100A	GS 100B
6"	6"	GS 106A	GS 100B
8"	8"	GS 108A	GS 100B
12"	12"	GS 112A	GS 100B
14"	14"	GS 114A	GS 100B

ANY CUSTOM SIZE NOW AVAILABLE. CALL 1.800.310.7673 FOR PRICING.

# STEP 1

## APPLY BIB AND SEALANT



MOISTOP SEALANT

Building paper or NOF Window Flashing. Tack in place along Top edge.

NOTE:

SAF = FORTIFLASH SELF ADHERED FLASHING (PEEL AND STICK FLASHING)  
 NOF = NAIL ON FLASHING (MOISTOP "NEXT")  
 SEALANT = MOISTOP SEALANT

# STEP 2

## APPLY GS 100 "A" PIECE



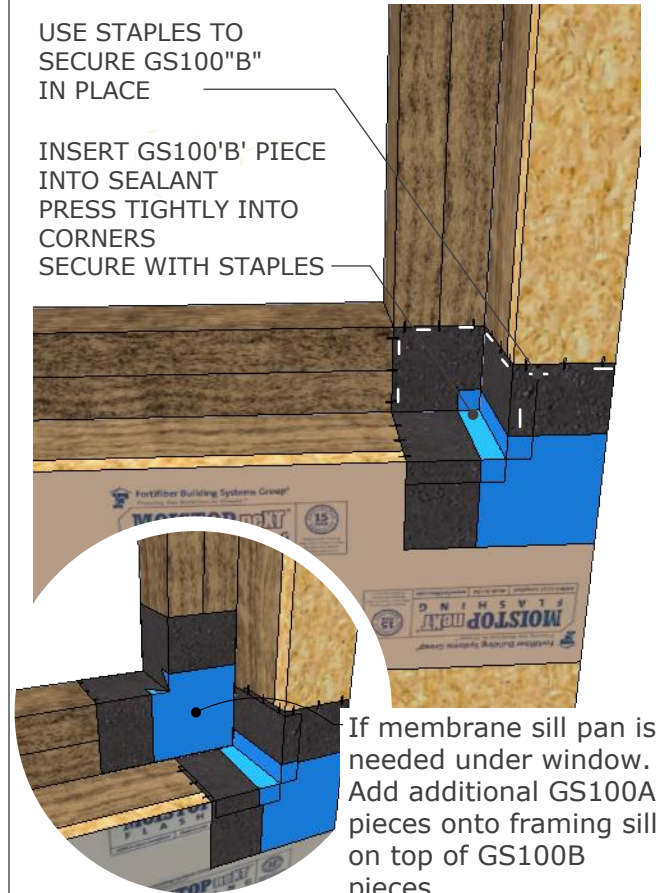
INSERT GS100'A' AND PRESS TIGHTLY INTO CORNERS. APPLY SEALANT ON TOP OF GS 100'A' AS SHOWN

NOTE:

PROVIDE SOLID BACKING AROUND ALL AREAS OF RECESS FRAMING

# STEP 3

## APPLY "B" PIECE



USE STAPLES TO SECURE GS100'B' IN PLACE

INSERT GS100'B' PIECE INTO SEALANT PRESS TIGHTLY INTO CORNERS SECURE WITH STAPLES

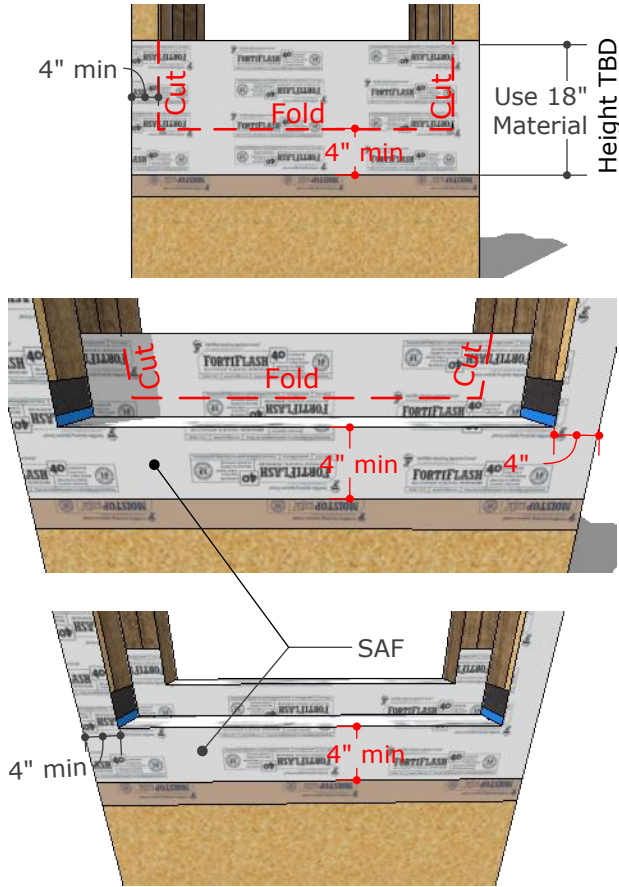
If membrane sill pan is needed under window. Add additional GS100A pieces onto framing sill on top of GS100B pieces.

NOTE:

IF MEMBRANE PAN IS USED, TERMINATE INSIDE EDGE OF WINDOW SILL WITH SEALANT TOOLED INTO PLACE AND 8" UP EACH SIDE.  
 LEAVE GAPS IN SEALANT ON LOWER NAIL FIN.  
 SEE DETAILS ON FINAL PAGE.

# STEP 4

LAYER SAF MEMBRANE INTO PLACE

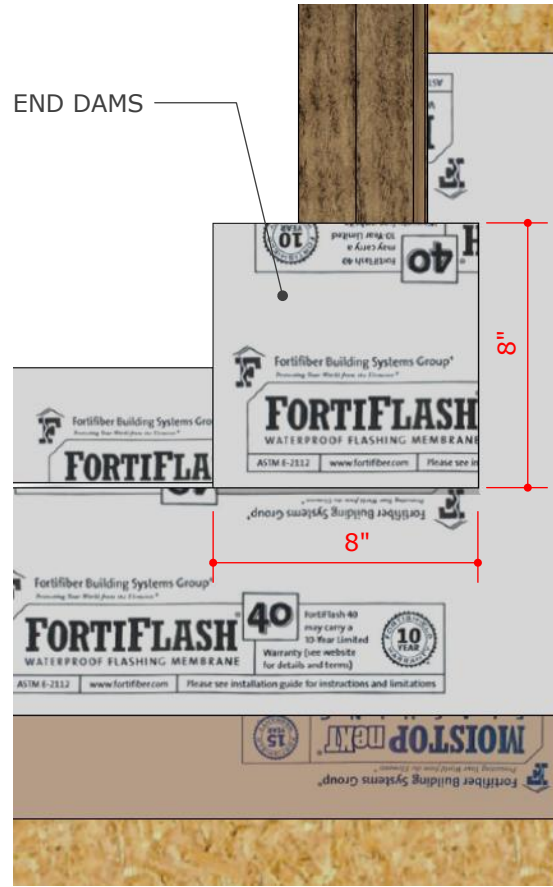


NOTE:

SAF = FORTIFLASH40 SELF ADHERED LASHING (PEEL AND STICK FLASHING)  
 NOF = NAIL ON FLASHING (MOISTOP "NEXT")  
 CAREFULLY LAYER SAF INTO PLACE AND ELIMINATE WRINKLES WITH 'J' ROLLER  
 TBD = 4" RECESS DEPTH + FRAME SILL HEIGHT + 3" ON TOP OF SILL

# STEP 5

APPLY END DAMS ON CORNERS

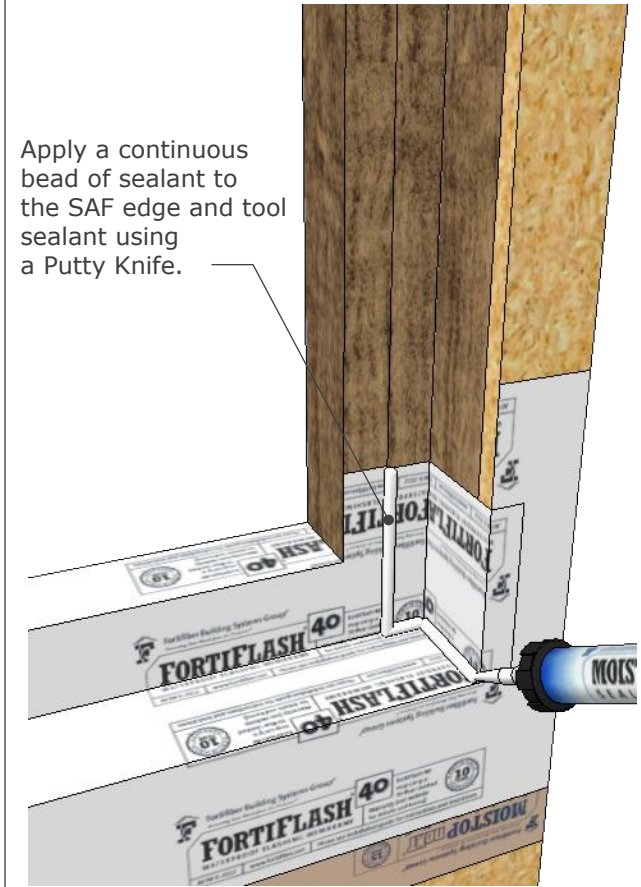


NOTE:

END DAMS (8"x8" SQUARES OR LARGER AS REQUIRED DEPENDING ON DEPTH OF RECESS) WRAP AROUND THE SIDES OF THE RECESS FRAMING AND FRONT WALL COVERING THE SEAM OF THE GS "A" & GS "B" PIECES

# STEP 6

APPLY SEALANT



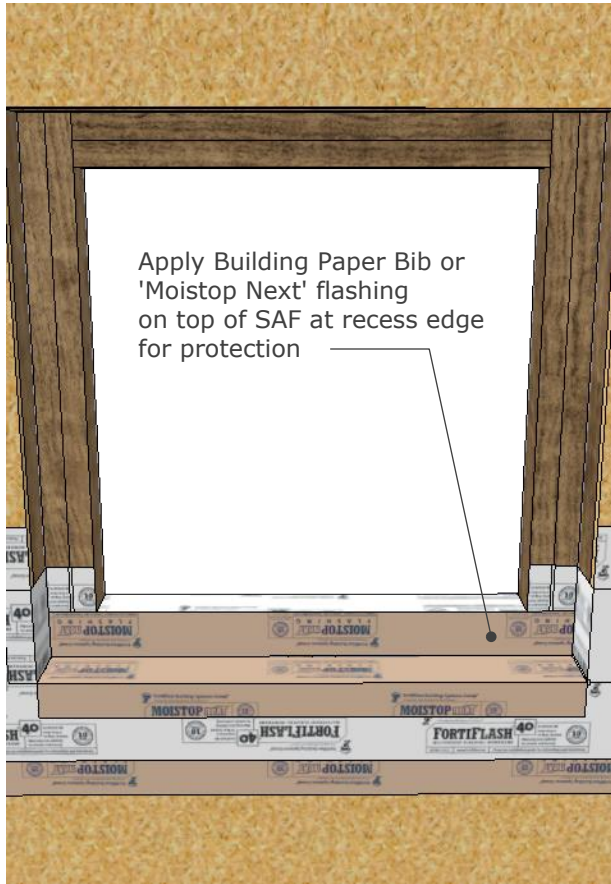
NOTE:

SAF SHEET SHALL BE ROLLED IN PLACE. THE SAF SHALL BE FREE OF WRINKLES OR CREASES AND COMPLETELY COVER THE GS 10X "A" PIECES. USE THE "J" ROLLER FOR COMPLETE ADHESION & ELIMINATION OF WRINKLES



# STEP 7

APPLY 'NOF' FLASHING ON BOTTOM

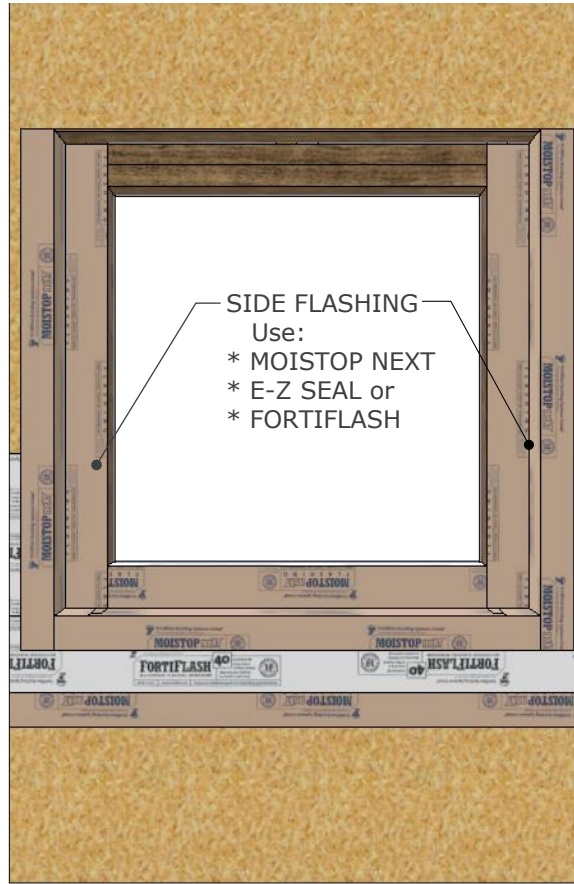


NOTE:

- LOWER WINDOW FLASHING LAYERS ON TOP OF BUILDING PAPER BIB.
- FIELD VERIFY ALL DIMENSTIONS PRIOR TO CUTTING AND INSTALLING FLASHING COMPONENTS.
- VERIFY MANUFACTURER REQUIREMENTS.

# STEP 8

APPLY FLASHING ON THE SIDES

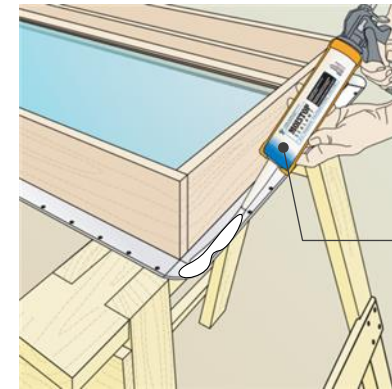


NOTE:

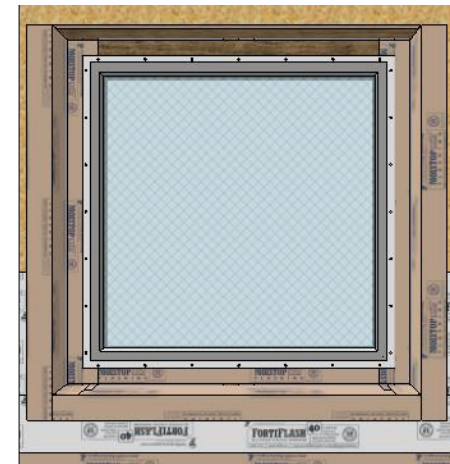
- FIELD VERIFY ALL DIMENSTIONS PRIOR TO CUTTING AND INSTALLING FLASHING COMPONENTS.
- VERIFY MANUFACTURER REQUIREMENTS.

# STEP 9

INSTALL WINDOW



Apply MOISTOP SEALANT around the edges of the window nail fin covering ALL holes.

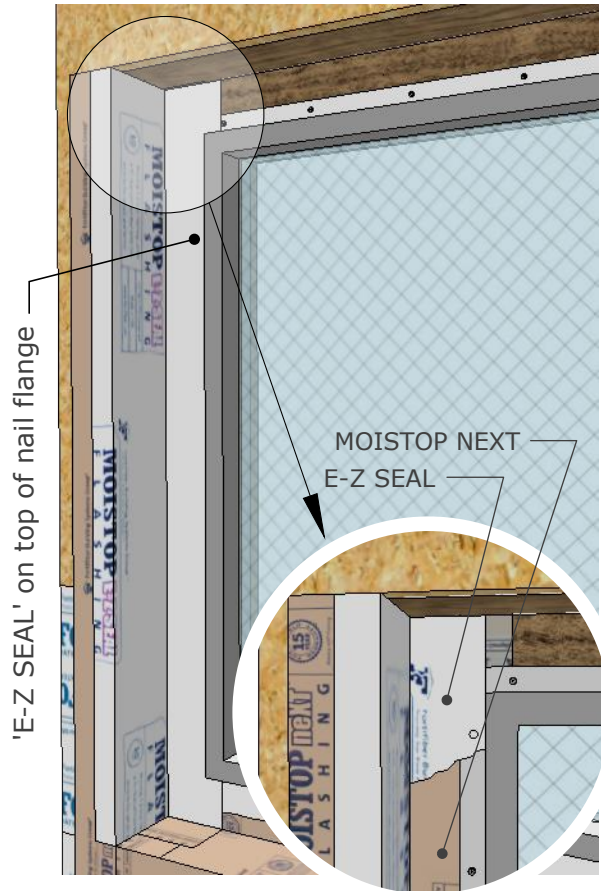


NOTE:

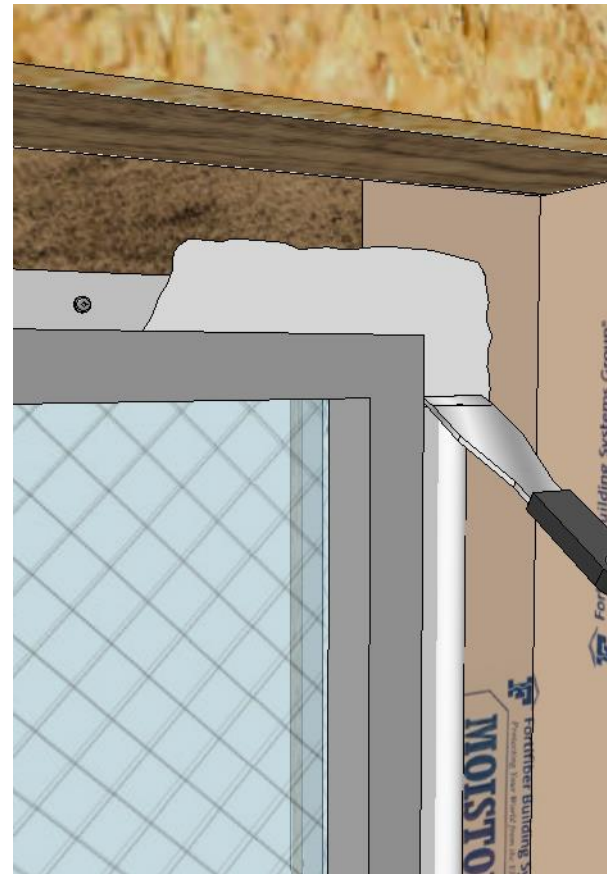
INSTALL THE WINDOW BEFORE THE UPPER GS CORNERS. THE WINDOW NAIL FIN SHOULD NOT BE ON TOP OF THE GS 100 "B" PIECE. IF FRAMING IS TIGHTER THAN SHOWN, LAYER GS100B PIECE ON TOP OF WINDOW NAIL FIN.

# STEP 10

APPLY MOISTOP 'E-Z SEAL' -OR- BUTTERED SEALANT



IF "E-Z SEAL" IS APPLIED



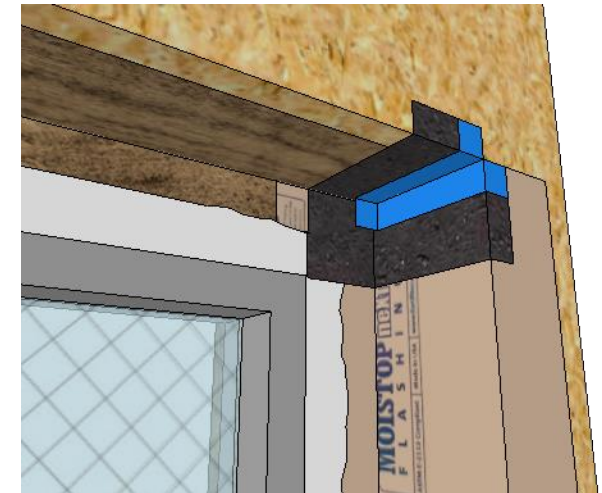
IF BUTTERED SEALANT

NO FASTENERS IN THE NAIL FIN SHOULD BE SEEN.  
E-Z SEAL SHOULD BE ALL THE WAY UP TO THE FRAME OF THE WINDOW AS SHOWN.

APPLY 1/2" BEAD OF SEALANT ON TOP OF WINDOW NAIL FIN ON ALL 4 SIDES AND BUTTER FLAT W/ PUTTY KNIFE.  
ALL FASTENERS COMPLETELY COVERED WITH SEALANT.  
USE MOISTOP SEALANT BY THE FORTIFIBER BUILDING SYSTEMS GROUP.

# STEP 11

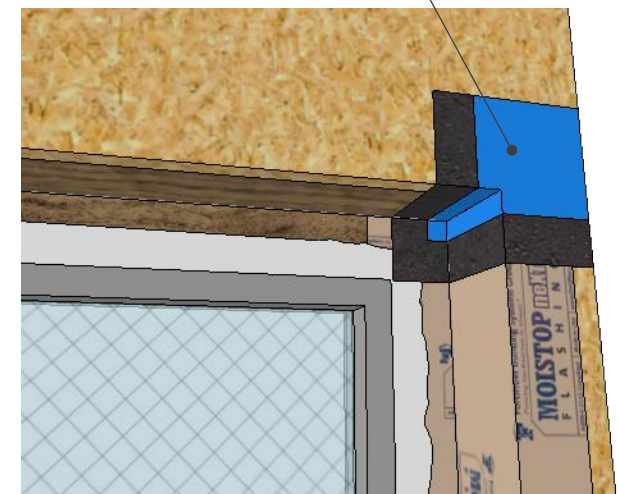
APPLY GS100"B" PIECE AT UPPER CORNERS



# STEP 12

APPLY GS100"A" PIECE

APPLY GS100'A' PIECE ON TOP OF GS100'B' PIECE

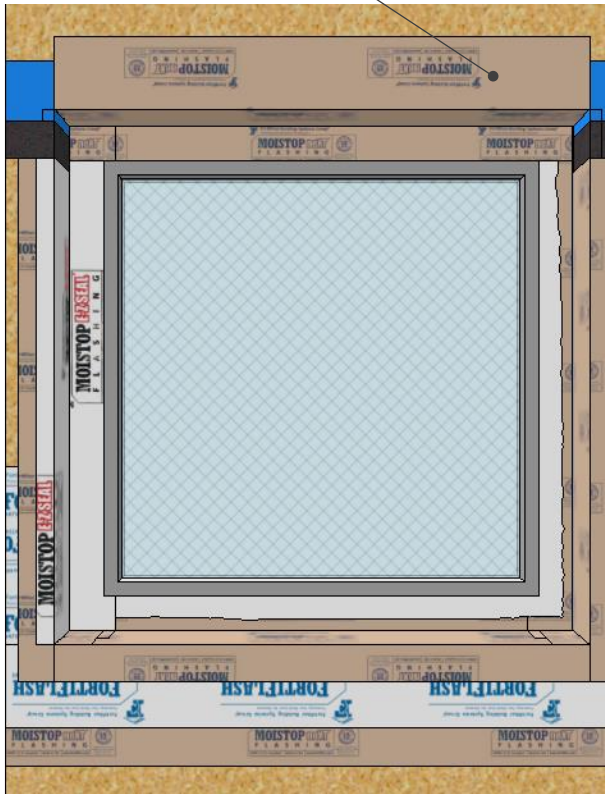




# STEP 13

## APPLY 'MOISTOP NEXT' ACROSS THE TOP

USE NOF 'MOISTOP NEXT' AS SHOWN



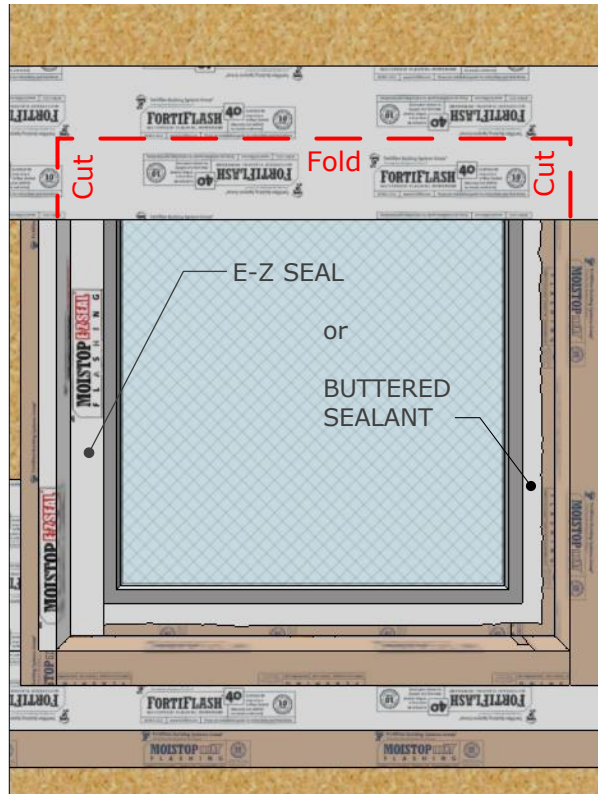
NOTE:

NOF = NAIL ON FLASHING (MOISTOP "NEXT") BY FORTIFIBER BUILDING SYSTEM GROUP

# STEP 14

## APPLY FORTIFLASH ACROSS THE TOP

USE SAF "FORTIFLASH" AS SHOWN



NOTE:

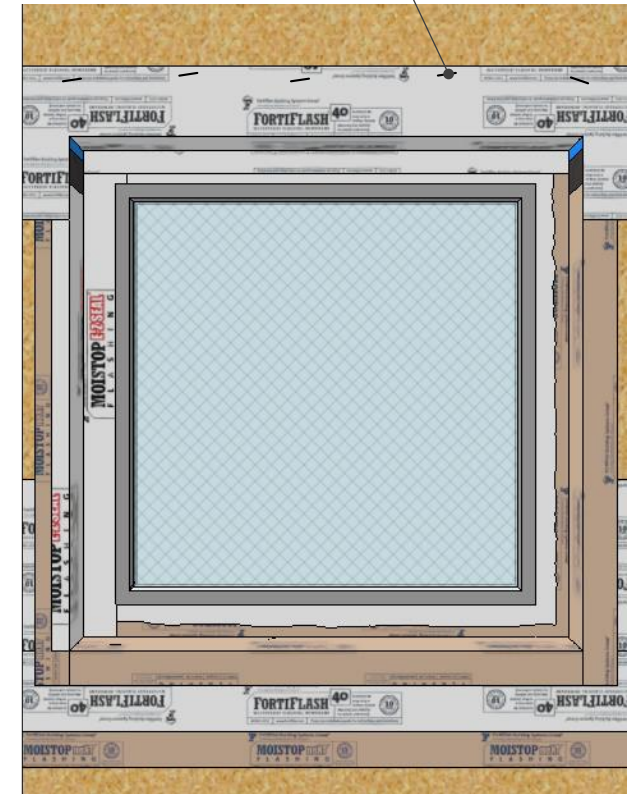
IF E-Z SEAL: APPLY SEALANT AT EDGE AGAINST WINDOW FRAME AND TOOL INTO PLACE.

SAF = FORTIFLASH SELF ADHERED FLASHING (PEEL AND STICK FLASHING)

# STEP 15

## TOP FLASHING

USE SAF "FORTIFLASH" AS SHOWN STAPLES AT TOP EDGE



NOTE:

APPLY STAPLES ACROSS TOP EDGE OF FORTIFLASH

# ADDITIONAL MEMBRANE PAN UNDER WINDOW DETAIL

**TLS LABS BUTTERED SEALANT METHOD OF WINDOW INSTALLATION WITH PAN  
 USING LIGHTNING FLASH CORNERS**  
 "ELIGIBLE FOR FORTISHIELD 15 YEAR WARRANTY BY  
 THE FORTIFIBER BUILDING SYSTEMS GROUP."  
 AAMA METHOD B

